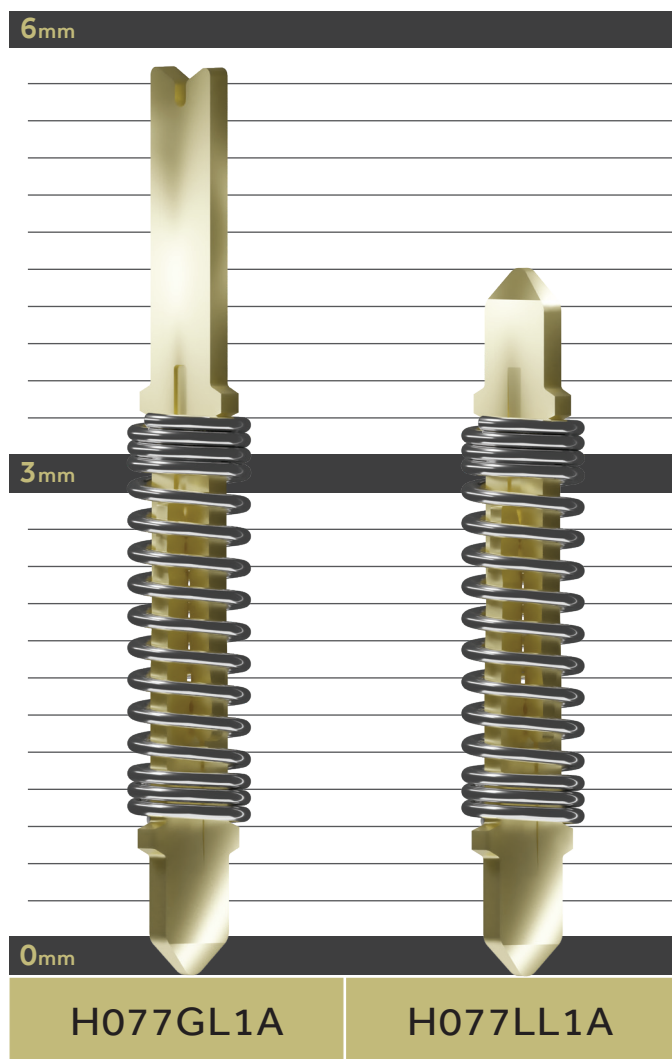


# H-PIN H077



The H-Pin H077 Series has an outside diameter of 0.77 mm and supports applications 1.00 mm pitch and above.



## MECHANICAL PROPERTIES

|                        |                 |
|------------------------|-----------------|
| PITCH:                 | 1.0mm (min)     |
| WORKING TRAVEL:        | 0.70mm          |
| CONTACT FORCE:         | 34.9gf          |
| FULL LENGTH:           | 4.45mm          |
| COMPRESSED LENGTH:     | 3.75mm          |
| OPERATING TEMPERATURE: | +180°C          |
| MECHANICAL LIFE:       | >125,000 cycles |

## ELECTRICAL PROPERTIES

|                            |         |
|----------------------------|---------|
| CONTACT RESISTANCE:        | <30mΩ   |
| CURRENT RATING (FREE AIR): | 4.0 amp |
| SELF INDUCTANCE:           | 1.04nH  |
| BANDWIDTH @ -1DB:          | 21.9GHz |

## MATERIALS

|                  |                 |
|------------------|-----------------|
| STAMPED CONTACT: | BeCu , Au Plate |
| SPRING:          | SS, Au Plate    |

# H-PIN

## H077 X X X X

### H-PIN SERIES

H077 – 1.0mm

### TOP CONTACTOR

L – Standard LGA TIP

G – Large Array BGA

A – Large Array LGAA

### OPTIONS

A – Au Plating

### SPRING TYPE

(full Deflection)

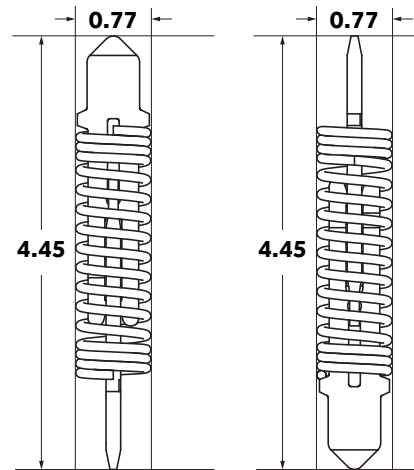
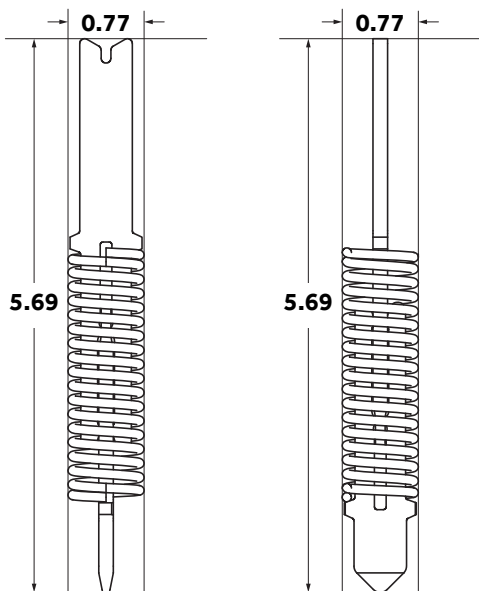
1 – 34.9gf

1 – 19.7gf

### BOTTOM CONTACTOR

L – Standard LGA

A – Long LGA Tip



H077GL1A

H077LL1A